

Advanced Environmental Instrumentation

Harnessing the Power of Mobile Computing



✓ Surveyed

✓ Documented

✓ Reported



Example AdvancedSense, WolfPack Screens*

Live Graph

Realtime

File	Log	Probe	View
TVOC			2251 ppb
Ozone			0.03 ppm
Ammonia			1.9 ppm
Hydrogen Sulfide			0.38 ppm
Temperature			22.8 °C
Relative Humidity			22.0 %RH
Toluene			1133 ppb
Nitrogen Dioxide			0.05 ppm
Sulfur Dioxide			1.04 ppm

VOC Compound Details

Toluene

Chemical Formula: C7H8
 Alternate name(s): Methylbenzene, Phenylmethane
 Calibration Correction Factor: 0.53
 OSHA PEL: 200ppm

Common Source(s): IAQ; (very common) Nail polish, paints, paint thinners, lacquers, adhesives, rubber cement, inks, fabric dyes, cosmetics, auto exhaust, gasoline, kerosene, heating oil, cigarette smoke. Industrial: rubber mfg, leather tanning, printing processes

Audio Notes

File	Log	Probe	View
Barometric			0.992 atm
TVOC			1532 µg/m3
Chlorine			3.14 mg/m3
Nitrogen Dioxide			0.70 mg/m3
Sulfur Dioxide			3.2 mg/m3
Temperature			72.2 °F
Relative Humidity			20.2 %RH

ADVANCEDSENSE® TVOC

DIRECTSENSE®

Multi-Gas PID Meters

*Probes also connect to Windows Tablets, Laptops, PCs

GrayWolf is transforming how to Measure, Data-Log and Report on worker and general environmental exposure levels. The AdvancedSense TVOC is a powerful data collection tool, packed with on-board application information and advanced documentation features; highly intuitive and Easy-To-Use.

- VOCs, %RH, °F/°C plus up to 5 specific gas sensors per probe (all "plug-and-play" in DSII probes)
- Choice of PID sensors optimized for ppb or ppm VOC concentrations
- On-board list of 250+ compounds detected by the PID sensor
- On-screen info about common VOCs including typical indoor air sources, worker exposure limits and much more...
- Response factors for common compounds; display/log corrected VOC values
- Productivity tools: audio notes, text notes, data file linked photos and more...
- WolfSense® PC desktop data transfer & analysis software included
- Optional GrayWolfLive™ WiFi access to data & notes, with e-mail/text alerts when alarm conditions are exceeded



GRAYWOLF®
 SENSING SOLUTIONS
 Ph. 1-203-402-0477
 Fax: 1-203-402-0478

Email:
 Salesteam@GrayWolfSensing.com

Website:
 www.GrayWolfSensing.com



ADVANCEDSENSE[®] DIRECTSENSE[®] TVOC

Multi-Gas PID Meters

DSII-3, DSII-5, DSII-8, TG-503, VOC-103 VOC Probes

SPECIFICATIONS:

VOCs (SEN-B-VOC-PPMH PID sensor, 10.6eV lamp) Range: 0.1 to 10,000ppm

10.6 eV PIDs do not respond to VOCs with ionization potentials >10.6, such as methane (which at ~2ppm background is typically preferable *not* to measure), ethane or formaldehyde. However, they do respond to the vast majority of VOCs. Standard calibration is to Isobutylene. Users may calibrate to alternative VOCs.

VOCs (SEN-B-VOC-PPB PID sensor, 10.6eV lamp) Range: 5 to 20,000ppb

User selectable units: ppb, ppm, µg/m3, mg/m3. Alternative ranges are available.

Carbon Dioxide (DSII, TG-503) Range 0 to 50,000ppm, 0 to 5%

Accuracy ±3% reading ±150ppm (alt 0-10,000ppm range; Acc ±3% reading ±50ppm)

Relative Humidity: Range: 0.0 to 100.0 %RH

Accuracy: ±2%RH <80%RH (±3%RH>80%RH)

Temperature: Range: 5.0° to 160.0°F (-15° to +70°C)

Accuracy: ±0.3°C

Response Time: VOC, %RH, CO2 and °F/°C sensor

All exhibit 90% response <1 minute

Probe Dimensions (DSII): 83mm (3.3in.)w. x 295mm (11.6in.)h. x 55mm (2.2in)d

Probe Weight (DSII): 460gr (1lb) + ~10g/sensor

Probe Dimensions (TG-503, VOC-103): 50mm (2 in)d. x 30cm (12.5 in)l

Probe Weight (TG-503, VOC-103): 700g (1lb 10oz.)

Probe Power (DSII): Lithium ion rechargeable, 35 hours typical battery life

Probe Power (VOC-103): 2 x D cells; typical battery life 120+ hrs (60+ hrs for TG-503)

Alternatively, power the sensors continuously from the meter/mobile PC

Operating Range: 0 to 90 %RH (non-condensing), -15°C to 60°C

Specific gas sensors may have a reduced operating range

PC Software Requirements: Windows 8/7/10

SPECIFICATIONS ARE SUBJECT TO CHANGE WITHOUT FURTHER NOTICE

- **Specify low (ppb), mid or high (ppm) range PID sensor.** °C/°F, %RH sensors included. Add up to 3 more sensors per TG-503, up to 2 smart sensors for DSII-5 and up to 5 more smart sensors for DSII-8 (additional sensors n/a for VOC-103). Choose from:

O₃ NH₃ Cl₂ EtO HCl O₂ CO
SO₂ NO NO₂ HCN AsH₃ H₂S
F₂ ClO₂ COCl₂ SiH₄ PH₃ HF

Note 1: Specialty mid-range VOC (200ppm, 2000ppm, 6000ppm) PID sensors are available
Note 2: An NDIR CO₂ sensor may also be added to the TG-503, DSII-5 or DSII-8 probes
Note 3: A CO/H₂S combo sensor is also available (both gases from a single sensor)

- Order AS/DS/WP TVOC kits with an AdvancedSense, WIN 10 tablet, or WolfPack **included**. Or order with software and connectors to operate with your own WIN 7/8/10 computer.
- Advanced Report Generator software for automated, detailed reports, tripod kits, USB keys/cables for data download, and other accessories are available from GrayWolf. Find out more at www.graywolfsensing.com/accessories/.



**GRAYWOLF[®]
SENSING SOLUTIONS**
6 Research Drive (Worldwide Headquarters)
Shelton, CT 06484 USA
Ph. (1) 203-402-0477
800-218-7997

Email: Salesteam@GrayWolfSensing.com

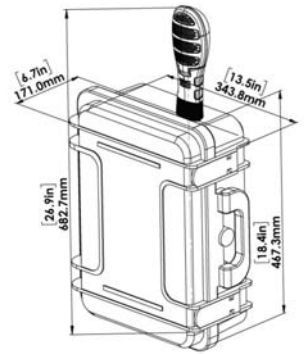
www.GrayWolfSensing.com

Measure Smart

PCC-20A Hard-shell
▼ Security/Carry Case ▶



Report Efficiently



Connect probes to AdvancedSense meters, WolfPacks or to WIN7/8/10 tablets, laptops or PCs via cable, or Bluetooth wireless (as shown) ▼



WIN10 tablet platforms are available from GrayWolf with security case foam cuts, pouches, etc. ▼



▲ Optional WolfPack Modular Area Monitor (for DSI probes)

CA-HD-A1 Calibration cap for all A series sensors in DSII probes. Supplied with 2m tubing. ▼



CA-HD2 DSI Cal Hood may alternatively be used with air pump to draw sample across sensors ▼



▲ ACC-FIL6 Probe Filters for dirty environments

CA-GS25 PID/VOC Calibration Kit (zero & isobutylene). Specify CA-HD2 or CA-HD4-A1. ▼



Specific cal reference gases available for most sensors

**GRAYWOLF[®]
SENSING SOLUTIONS**
Annacotty Industrial Park, Unit 1C
Annacotty, County Limerick
V94 PR2Y Ireland
Ph. (353) 61358044